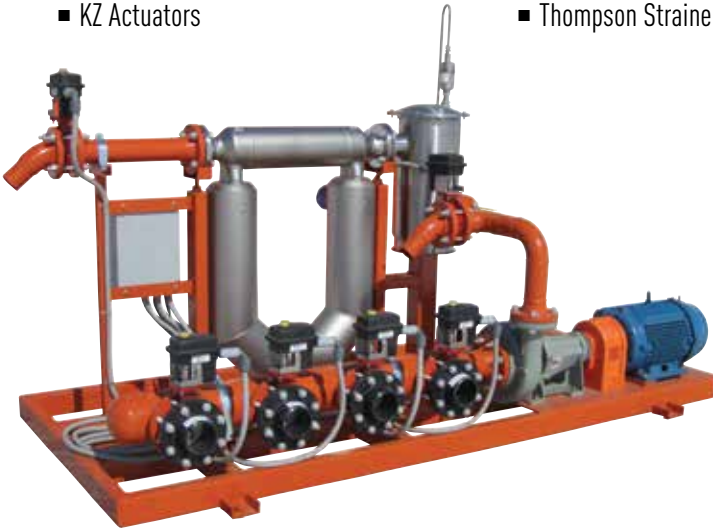


LIQUID FERTILIZER PUMP SKID

At DyTerra, we manufacture modular liquid fertilizer pumping skids, custom built with high-flow plumbing to match your specific requirements.

AVAILABLE OPTIONS:

- Vertiflo 1424 Pump
- CDS-John Blue 3320 and 3350 Pumps
- KZ Actuators
- Ultraflo Butterfly Valves
- 3" and 4" Micro Motion Mass Flow Meter
- Thompson Strainer
- Custom Control Panel, built by LV Control
- Complete Control Shed
- DyCrete Liquid Fertilizer Containment System



Shur Flex Hub 1 1/8"	MI7SX1-1/8
Shur Flex Hub 1 1/4"	MI7SX1-1/4
Shur Flex Hub 1 3/8"	MI7SX1-3/8
Shur Flex Hub 1 7/16"	MI7SX1-7/16
Shur Flex Hub 1 5/8"	MI7SX1-5/8

Insert Shur-Flex.....MI7JE

KZ Actuator 24V Butterfly Valve 3"	KZ24VDCHE2-3
Hardware Kit.....	KZEH4HDW
Stem Coupler.....	KZ208-0016
Mounting Bracket, EH2	KZ100255

KZ Actuator 12/24V Butterfly Valve 4"	KZ24VDCHE5-4
Hardware Kit.....	KZEH4HDW
Stem Coupler.....	KZ208-0007
Mounting Bracket, EH2	KZ105-0002



PUMP	SHAFT SIZE	HUB REQUIRED
Vertiflo 1424	1 1/4"	MI7SX1-1/4
John Blue 3320 & 3350	1 1/8"	MI7SX1-1/8

LIQUID FERTILIZER PUMP SKID



Flange Gasket

- 3" x 150# **MIG48150**
- 4" x 150# **MIG64150**
- 6" x 150# **MIG96150**

150LB FLANGE HARDWARE

FLANGE SIZE	STUDS	QTY.	NUTS	QTY.
3"	MIB710X56	4	MI2H10	8
4"	MIB710X56	8	MI2H10	16
6"	MIB712X56	8	MI2H12	16

150LB FLANGE HARDWARE WITH BUTTERFLY VALVES

VALVE SIZE	STUDS	QTY.	NUTS	QTY.
3"	MIB710X96	4	MI2H10	8
4"	MIB710X96	8	MI2H10	16
6"	MIB712X96	8	MI2H12	16



- 2H Nut 5/8" **MI2H10**
- 2H Nut 3/4" **MI2H12**



- B7 Stud
- 5/8" x 3 1/2" **MIB710X56**
- 5/8" x 6" **MIB710X96**
- 3/4" x 4 1/4" **MIB712X68**
- 3/4" x 6" **MIB712X96**



- Enforcer Hose
- 3" High PSI **HSEPDM48XH**
- 4" High PSI **HSEPDM64XH**



- Slip Ticket Printer **MITMU295**
- TMU 295 Printer
- Power Supply **MITMU295PS**
- Printer Ribbon **LCEPSERC-27B**



- 3" Butterfly Valve **UF400-3C**
- HANDLE KIT: UF400237-2310L
- 4" Butterfly Valve **UF400-4C**
- HANDLE KIT: UF400237-4610L
- 6" Wafer SS **UF400-6C**



- PVC Check Valve 3" **MI1002-30**



- T-Bolt Clamp 3" **MIHCTSS343**
- T-Bolt Clamp 4" **MIHCTSS456**



- Gauge 0-160 PSI
- 1/4" Liquid Filled **PG160L**



- Strainer, 4" Body with 3" Flanges
- MIMLI-048-MOD9-040**
- Head Gasket **MISTHG04**
- Bottom Gasket **MISTFG04**



- Shaft Guard **MI2924201**



- Air Release
- 3/4" x 1/2" SS **MI11AV**
- Air Release Kit **KTIIAV**
- includes fittings and pipe



- Threaded Ball Valve 1 1/4" **BVSS203**



Shaft Size 1 1/4"

VERTIFLO 1424 PUMP 4X3

Typically 350 GPM at 1800 RPM with
3-phase 20 HP electric motor

Pump 4" Inlet x 3" Outlet, 10" Impeller **VL1424-4X3X10**

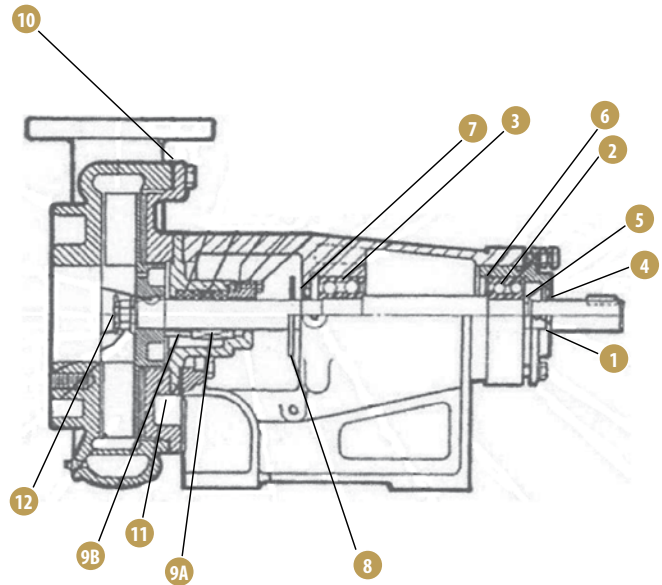
1424 REPLACEMENT PARTS

REF	PART	DESCRIPTION
1	VL22-2403-04-23	Shaft
2	VLBD-5122-22-00	Thrust Bearing
3	VLBD-5125-01-00	Radial Bearing
4	VLSL-3420-01-00	Lip Seal
5	VLRE-2220-01-00	Shaft Snap Ring
6	VLRE-5056-01-00	Cap Snap Ring
7	VLSL-3425-01-00	Lip Seal
8	VLSG-4200-01-62	Slinger
*9A	VL32-2824-09-20	Seal Spacer Sleeve
*9B	VLSJ-2124-S1-00	Mechanical Seal
*10	VL50-4441-01-60	Casing Gasket
*11	VL50-2217-01-60	Head Gasket
*12	VLPC-0507-01-20	Cotter Pin, SS

REPAIR KIT: VL1424RK

4" Inlet x 3" Outlet

*indicates recommended rebuild parts



VERTIFLO 1434 PUMP 6X4

Typically 500 GPM at 1800 RPM with
3-phase 30 HP electric motor

Pump 6" Inlet x 4" Outlet, 12" Impeller **VL1424-6X4X12**

1434 REPLACEMENT PARTS

PART	DESCRIPTION
*VL33-3428-01-20	Seal Spacer Sleeve 1434
*VLSJ-2134-S1-00	Mechanical Seal 1434
*VL50-5449-01-60	Casing Gasket 1434
*VL50-2217-01-60	Head Gasket
*VLPC-0507-01-20	Cotter Pin SS

REPAIR KIT: VL1434RK

6" Inlet x 4" Outlet

*indicates recommended rebuild parts



PIPING SIZE AND CONFIGURATION DETERMINES ACTUAL PUMP FLOW.

CDS-JOHN BLUE SP-3340-P PUMP

Typically 365 GPM at 3500 RPM with 3-phase 10 or 15 HP electric motor

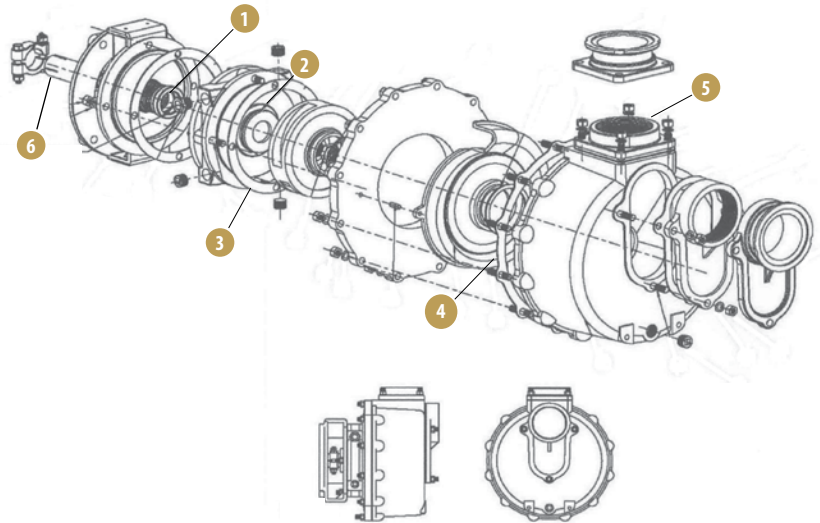
Self Priming Pump 3" Pedestal **JBS-3340-P**

SEAL KIT: JBS-3757

SP-3340-P REPLACEMENT PARTS

REF	PART	DESCRIPTION
1	JB43005	Mech. Double Seal
2	JB116226-01	Impeller
3	JBS-3638	Gasket Seal (2)
4	JB116218-01	Housing Cover O-Ring
5	JB116219-01	Suction Flange O-Ring
6	JBS-3646	Impeller Shaft

3" Inlet x 3" Outlet



Shaft Size 1 1/8"

CDS-JOHN BLUE SP-3350-P PUMP

Typically 365 GPM at 3500 RPM with 3-phase 15 HP electric motor

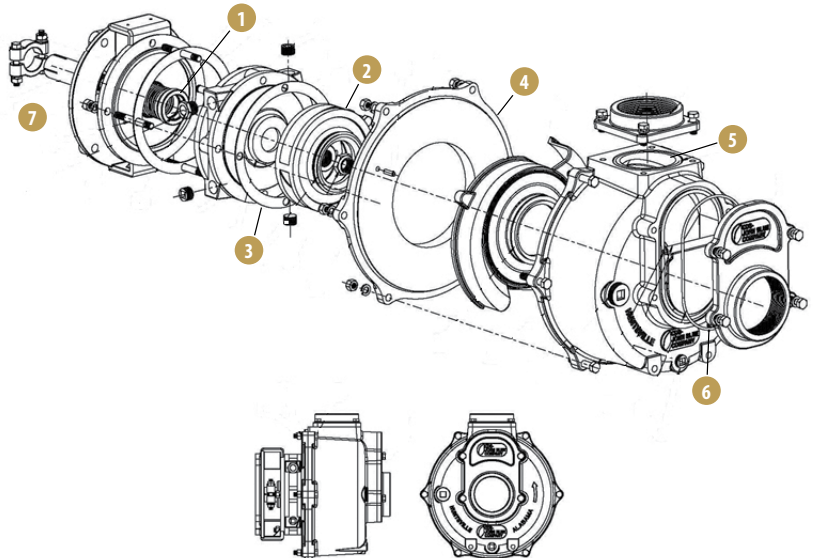
Self Priming Pump 3" Pedestal **JBSP-3350-P**

REPAIR KIT: JB116248

SP-3350-P REPLACEMENT PARTS

REF	PART	DESCRIPTION
	JBSP-3350-P	Self Priming Pump 3" Pedestal
1	JB43005	Mech. Double Seal
2	JB116227-01	Impeller
3	JBS-3638	Gasket Seal (2)
4	JB116218-01	Housing O-Ring
5	JB116219-01	Flange O-Ring, BUNA
6	JB116221-01	Suction Flange O-Ring, BUNA
7	JBS-3646	Impeller Shaft 1 1/8"

3" Inlet x 3" Outlet



Shaft Size 1 1/8"

SP-3320-P (discontinued) REPLACEMENT PARTS

REF	PART	DESCRIPTION
	JBSP-3320-P	Self Priming Pump 3" Pedestal
1	JB43005	Mech. Double Seal
2	JB102037-01	Impeller
3	JBS-3638	Gasket Seal (2)
4	JBS-3641	Housing Cover Gasket
5	JBS-3654	Suction Flange O-Ring, BUNA
6	JBS-3646	Impeller Shaft

3" Inlet x 3" Outlet

LIQUID VALVES

1 Piece Ball Valves

Threaded SS 1/4"	BVSS04
Threaded SS 3/4"	BVSS12
Springloaded SS 1"	BVSS16SL
Ball Valve SS 2"	BVSS32
Ball Valve SS 3"	BVSS48



3 Piece Ball Valves

Stainless Steel 1"	BVSS163
Stainless Steel 1 1/4"	BVSS203
Stainless Steel 1 1/2"	BVSS243
Stainless Steel 2"	BVSS323
Stainless Steel 3"	BVSS483
Stainless Steel 4"	BVSS643



Flanged Ball Valves

150#FLGSS 3"	BVSS48150
150#FLGSS 4"	BVSS64150



Butterfly Valves

Butterfly Valve 3"	UF400-3C
Butterfly Valve 4"	UF499-4C
Butterfly Valve 6"	UF40-6C
Cast, Lug, SS, Stem & Disc 3"	UF393-3CL
Cast, Lug, SS, Stem & Disc 4"	UF393-4CL



King Nipple

Stainless Steel 3"	FT48KSS
King Nipple, Victaulic 3"	FT48KBW40
Stainless Steel 4"	FT64KSS
King Nipple, Victaulic 4"	FT64KBW40

