

## SIMONSEN SPREADERS & TENDERS



### SMC2064S - 6-TON SPREADER SS

- Walking-Tandem Suspension for better weight distribution
- 409 Stainless Steel Hopper
- Heavy Gauge 7" wide Apron Chain
- Stainless Steel Input and Output Shafts in Fan Gearbox
- Simple Chain-and-Sprocket Ground Wheel Drive System
- Accurate Application Rate up to 640 lb./acre
- Fitted Tarp or Roll Tarp Available

### SMC2584S - 8-TON SPREADER SS

- 409 Stainless Steel Hopper (standard)
- Heavy Gauge 7" wide Apron Chain
- Hydraulic or PTO Driven Fan Available
- Hydraulic Actuation of Ground Drive
- D.O.T. Light Package
- 50 ft. Spread Pattern
- Fitted Tarp or Roll Tarp Available

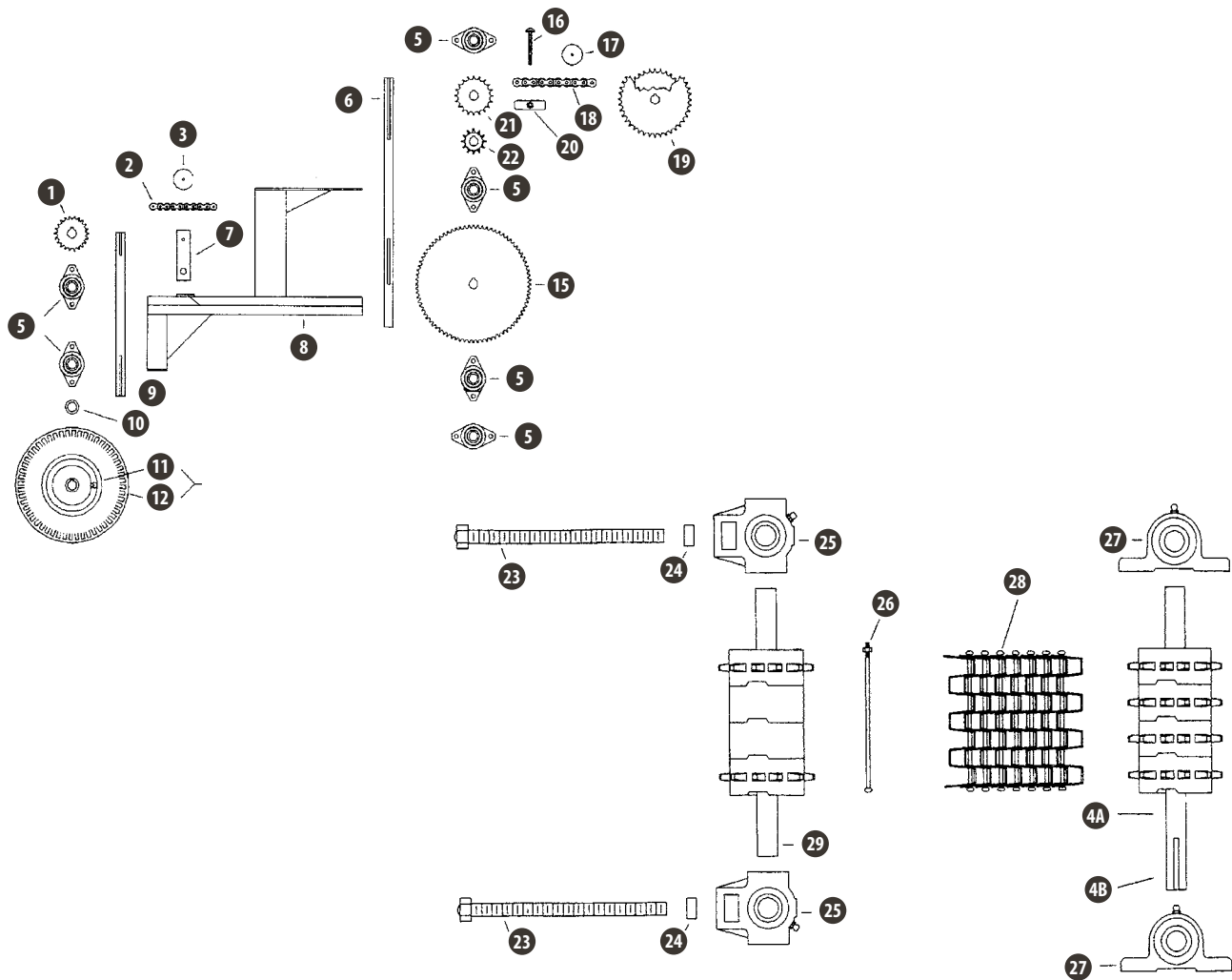


### SMC4816 - 16-TON TENDER SS - REAR AUGER BFT5316 - 16-TON TENDER SS - SIDE AUGER

- Available Split Compartments
- Stainless Steel Construction at Key Areas
- Motor at Discharge End Isolated from Fertilizer
- Large Oil Reservoir
- Steep Side Slopes
- Manual or Electric Tarp Options
- Full Length Fenders

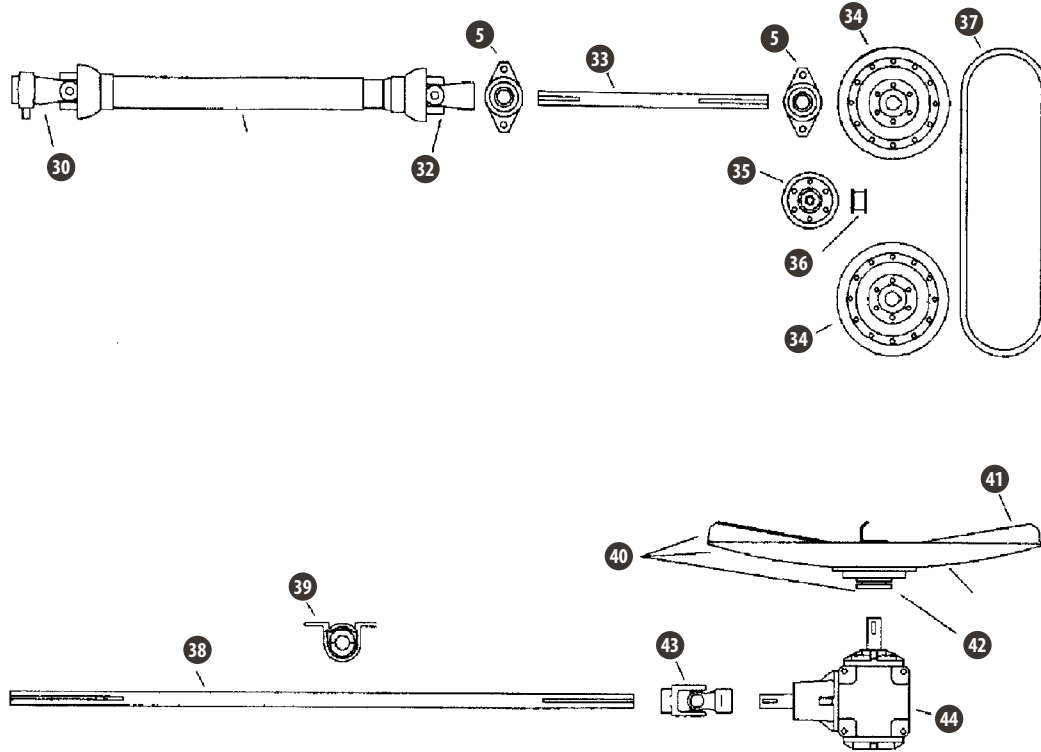


## SIMONSEN SMC SPREADER



REF	SMC2064	SMC2584	DESCRIPTION	REF	SMC2064	SMC2584	DESCRIPTION
1	SI1700-20	SI1700-20	Sprocket	16	SI3907	SI3907	Carriage Bolt
2	SI1700-10	SI1700-12	Chain	17	SI1700-80	SI1700-80	Tightener Block Chain
3	SI1700-75	SI1700-75	Chain Tightener Block	18	SI1249-10	SI1249-10	Chain
4A	SI643-10	SI643-10	Long Shaft (Early Units With Two Separate Hubs)	19	SI1248-03	SI1248-03	Sprocket
4B	SI643-11	SI643-11	Short Shaft (Present Units With Welded Dual Sprockets)	20	SI1170-10	SI1170-10	Handle Nut $\frac{3}{8}$ "
5	SI973-20	SI973-20	1" Flange Bearing	21	SI240-00	SI240-00	Sprocket
6	SI1033-10	SI1033-11	Shaft	22	SI530-00	SI530-00	Sprocket
7	SI1700-70	SI1700-70	Arm	23	SI188-00	SI188-00	Screw Take-Up SS
8	SI1209-10	SI1209-11	Wheel Drive Yoke	24	SI189-00	SI189-00	Screw Take-Up Nut
9	SI1175-10	SI1175-11	Shaft	25	SI187-10	SI187-10	Bearing-Take Up 1"
10	SI9341-26	SI9341-26	Spacer	26	SI1700-01	SI1700-01	Splice Pin 7" Stainless Steel
11	SI1377-00	SI1377-00	Hub and Rim	27	SI705-00	SI705-00	Bearing 1" Pillow Block
12	SI1376-00	SI1376-00	Tire	28	SI1700-00	SI1700-00	Apron Chain 7"
13	SI1377-01	SI1377-01	Tire and Rim Assembly	29	SI591-10	SI591-10	Front Roller
15	SI1700-30	SI1700-30	Sprocket				

## SIMONSEN SMC SPREADER

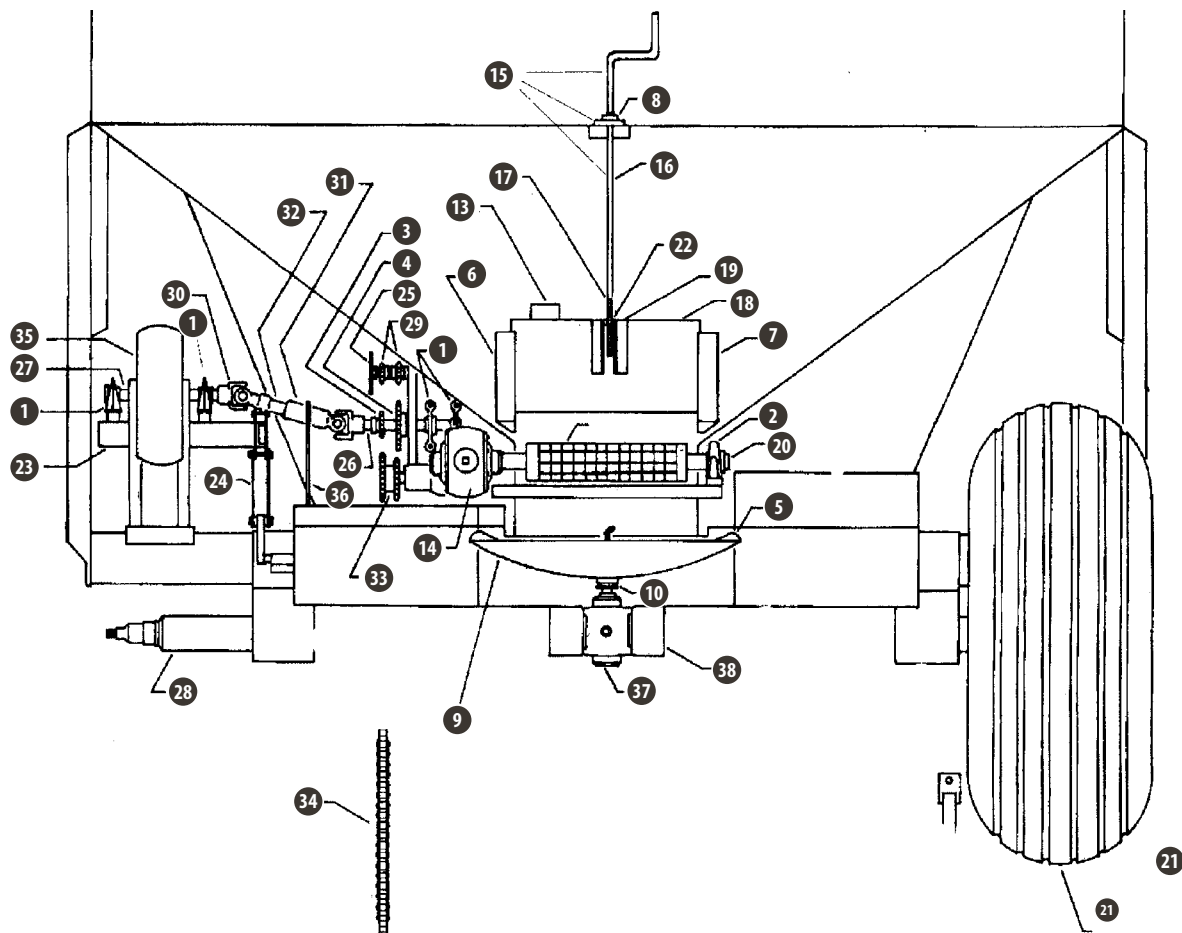


REF	SMC2064	SMC2584	DESCRIPTION
30	SI616-52	SI616-52	PTO Tractor Half
31	SI616-50	SI616-50	PTO Assembly 540 RPM
32	SI616-51	SI616-51	PTO Trailer Half 1" Bore
33	SI578-10	SI578-10	Shaft
34	SI780-10	SI780-10	Pulley
35	SI1400-10	SI1400-10	Pulley
36	SI1700-50	SI1700-50	Spacer
37	SI779-10	SI779-10	Belt
38	SI1589-10	SI1589-11	Shaft
39	SI1390-00	SI1390-00	Bearing Wooden Insert
40	SI575-01	SI575-01	Spinner Disc c/w Blades
41	SI556-02	SI556-02	Blade, Spinner Disc (4 per Disc)
42	SI580-02	SI580-02	Bushing
43	SI1042-00	SI1042-00	U-Joint Assembly
44A	SI1900-00	SI1900-00	Gearbox
44B	SI232-00	SI232-00	Hydraulic Gearbox



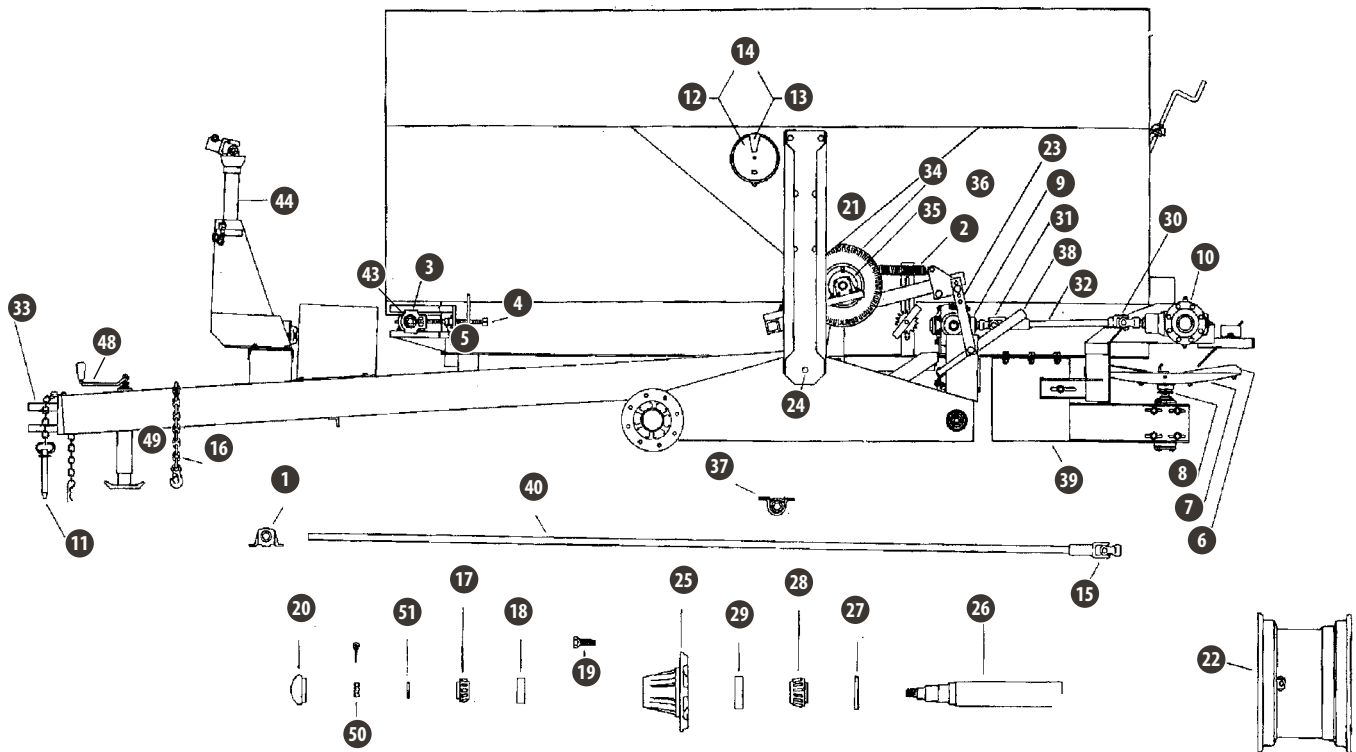
**SIMONSEN**

## SIMONSEN "N" SERIES SPREADERS



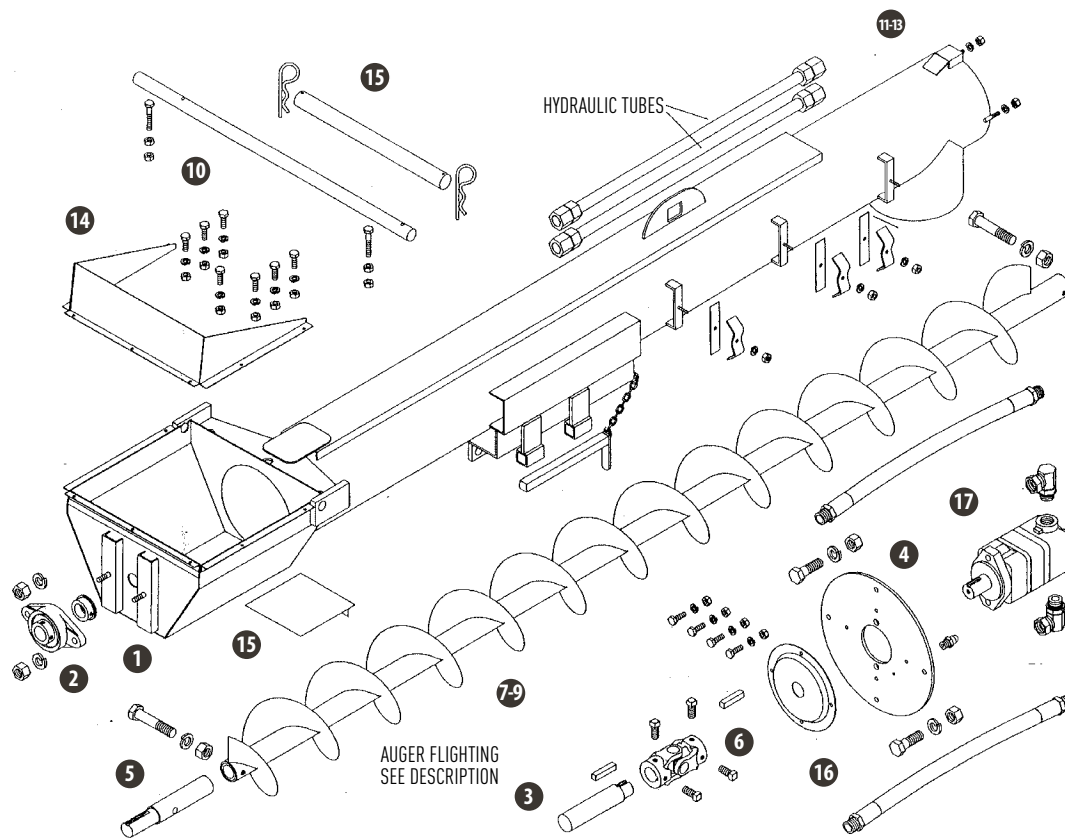
REF	N44J	N54J	N64J	DESCRIPTION	QTY	REF	N44J	N54J	N64J	DESCRIPTION	QTY
1	SI157-00	SI157-00	SI157-00	Bearing 1" Pillow Block	4	20	SI643-00	SI643-00	SI643-00	Rear Apron Drive Roller	1
2	SI170-00	SI170-00	SI170-00	Bearing 1 1/2" Pillow Block	2	21	SI1133-01	SI758-25	SI1023-00	Tire	4
3	SI532-00	SI532-00	SI530-00	Sprocket 1"	1	22	SI1050-00	SI1050-00	SI1050-00	ACME Nut	1
4	SI782-00	SI782-00	SI533-00	Sprocket 1"	1	23	N/A	N/A	SI1162-00	Wheel Drive Yoke	1
5	SI556-02	SI556-02	SI556-02	Spinner Blade	4	24	N/A	N/A	SI1167-00	Wheel Drive Linkage	1
6	SI568-00	SI568-00	SI568-00	Metering Door Slide LH	1	25	SI1170-00	SI1170-00	SI1170-00	Handle Nut	1
7	SI569-00	SI569-00	SI569-00	Metering Door Slide RH	1	26	SI1033-01	SI1033-01	SI1173-00	Shaft	1
8	SI571-00	SI571-00	SI571-00	Flange Bearing 5/8"	1	27	SI1175-00	SI1175-00	SI1175-00	Shaft 1" x 9 1/2"	1
9	SI575-01	SI575-01	SI575-01	Spinner Disc c/w Blades	1	28	SI1152-00	SI1152-00	SI1191-00	Spindle	4
10	SI580-02	SI580-02	SI580-02	Bushing	1	29	SI1200-00	SI1200-00	SI1200-00	Sprocket	2
11	SI586-00	SI586-00	SI586-00	Apron Chain 12" SS	1	30	SI1202-00	SI1202-00	SI1202-00	U-Joint 7/8" SQ x 1" Round	2
12	SI587-00	SI587-00	SI587-00	Splice Pin	1	31	SI1203-00	SI1203-00	SI1203-00	Slip Joint 7/8" SQ x 1" Round	1
13	SI614-00	SI614-00	SI614-00	Metering Gate Decal (Silver)	1	32	SI1212-01	SI1212-01	SI1212-00	Square Shaft	1
14	SI624-99	SI624-99	SI624-99	Conversion Kit, Round GBox to Square GBox	1	33	SI1248-02	SI1248-01	SI1248-00	Dual Sprocket	1
15	SI634-02	SI634-02	SI634-02	Screw, Crank and Brg Assembly	1	34	MIRC50SS	MIRC50SS	MIRC50SS	SS Chain #50	
16	SI634-00	SI634-00	SI634-00	Screw and Crank	1	35	SI1376-00	SI1376-00	SI1376-00	Wheel Drive Tire	1
17	SI634-01	SI634-01	SI634-01	Metering Gate Screw	1	36	N/A	N/A	SI1407-00	Wheel Drive Assembly	1
18	SI635-00	SI635-00	SI635-00	Metering Door	1	37	SI1900-00	SI1900-00	SI1900-00	Gearbox Spinner Disc	1
19	SI642-00	SI642-00	SI642-00	Metering Door Bracket	1	38	SI1585-00	SI1585-00	SI1585-00	Gearbox Bracket	1

## SIMONSEN "N" SERIES SPREADERS - FRONT AND LEFT SIDE VIEW



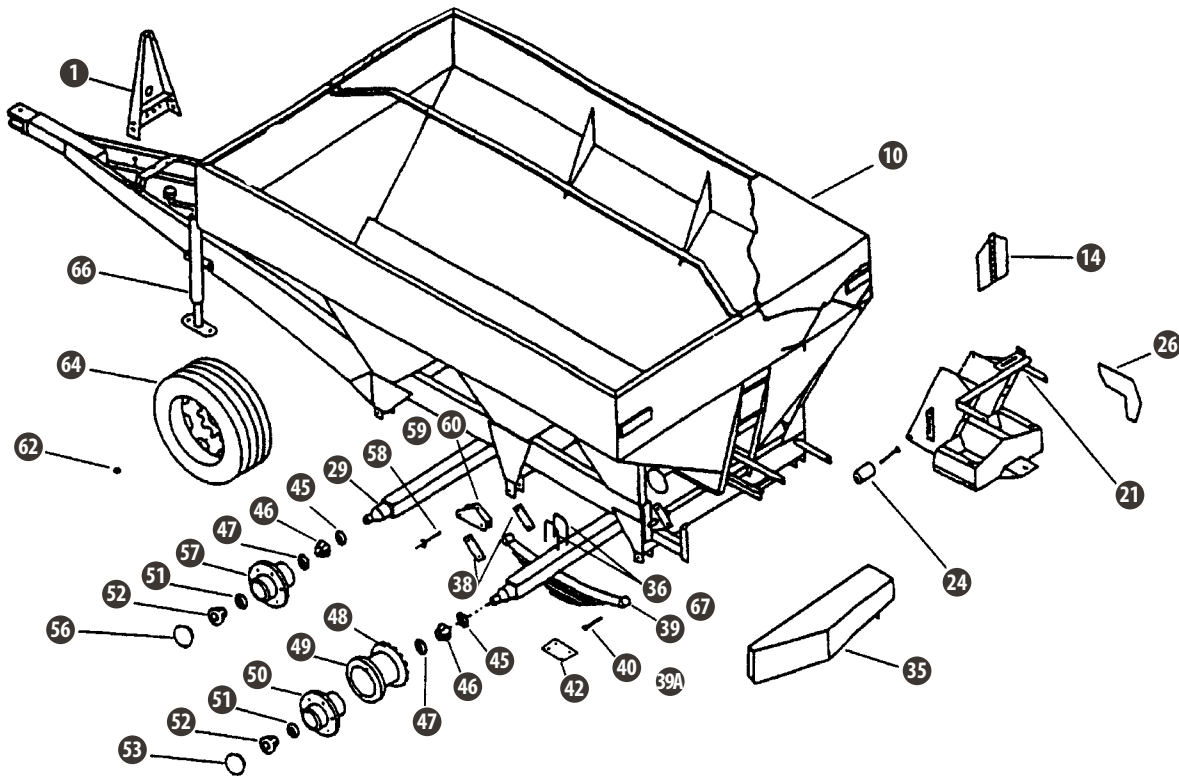
REF	N44J	N54J	N64J	DESCRIPTION	QTY	REF	N44J	N54J	N64J	DESCRIPTION	QTY
1	SI157-00	SI157-00	SI157-00	Bearing 1" Pillow Block	4	25	SI1150-00	SI1150-00	SI1190-00	Hub c/w Races	4
2	N/A	N/A	SI173-00	Spring Take-Up	1	26	SI1152-00	SI1152-10	SI1191-00	Spindle	4
3	SI187-00	SI187-00	SI187-00	Bearing Take-Up 1"	2	27	SI1151-01	SI1151-01	SI1192-01	Seal	4
4	SI188-00	SI188-00	SI188-00	Screw Take-Up SS	2	28	SI1151-02	SI1151-02	SI1192-02	Inner Race	4
5	SI189-00	SI189-00	SI189-00	Take Up Screw Nut	2	29	SI1151-03	SI1151-03	SI1192-03	Inner Cup	4
6	SI556-02	SI556-02	SI556-02	Spinner Blade	4	30	SI1202-00	SI1202-00	SI1202-00	U-Joint 7/8" SQ x 1" Round	1
7	SI575-01	SI575-01	SI575-01	Spinner Disc c/w Blades	1	31	SI1293-00	SI1293-00	SI1293-00	Slip Joint 7/8" SQ x 1" Round	1
8	SI580-00	SI580-00	SI580-02	Bushing	1	32	SI974-10	SI974-10	SI1213-00	SQ Shaft 7/8"	1
9	SI623-50	SI623-50	SI623-50	Front Apron Gear Box	1	33	SI1214-00	SI1214-00	SI1214-00	Cast Hitch	1
10	SI624-99	SI624-99	SI624-99	Conversion Kit, Round GBox to Square GBox	1	34	SI1376-00	SI1376-00	SI1376-00	Wheel Drive Tire	1
11	SI1013-00	SI1013-00	SI1013-00	Hitch Pin	1	35	SI1377-00	SI1377-00	SI1377-00	Wheel Drive Rim	1
12	SI1024-00	SI1024-00	SI1024-00	Setting Guide Top	1	36	SI1377-01	SI1377-01	SI1377-01	Tire and Rim Assembly	1
13	SI1026-00	SI1026-00	SI1026-00	Gate Setting Guide Bottom	1	37	SI1390-00	SI1390-00	SI1390-00	Bearing Wooden Insert	2
14	SI1027-02	SI1027-02	SI1027-02	Top and Bottom Assembly	1	38	N/A	N/A	SI1407-00	Wheel Drive Handle	1
15	SI1037-00	SI1037-00	SI1037-00	Slip Joint 1" x 1"	1	39	SI1585-00	SI1585-00	SI1585-00	Gear Box Bracket	1
16	SI1154-00	SI1154-00	SI11154-00	Safety Chain and Hook	2	40	SI552-10	SI1589-01	SI1589-00	Drive Shaft	1
17	SI610-03	SI610-03	SI1161-01	Outer Race	4	43	SI591-00	SI591-00	SI591-00	Idler Roller	1
18	SI610-06	SI610-06	SI1161-03	Outer Cup	4	44	SI616-00	SI616-00	SI616-00	Tumbling Rod	1
19	SI1151-05	SI1151-05	SI1161-06	Wheel Bolt	2	48	SI1394-03	SI1394-03	SI1394-03	Jack Handle	1
20	SI610-04	SI610-04	SI1161-07	Dustcap	4	49	SI1484-00	SI1484-00	SI1484-00	Tongue Jack c/w Bracket	1
21	SI1592-00	SI1592-00	SI1162-00	Wheel Drive Yoke	1	50	SI1152-02	SI1152-02	SI1191-02	Spindle Nut	4
22	SI1140-00	SI758-10	SI1165-00	Wheel	4	51	SI1152-01	SI1152-01	SI1191-01	Spindle Washer	4
23	N/A	N/A	SI1167-00	Wheel Drive Linkage	1						
24	SI1168-00	SI1168-00	SI1168-00	Tie Bolt	2						

## SIMONSEN SMC4816 TENDER



REF	PART	DESCRIPTION
1	SI306-02	Set Collar with 2 <sup>5</sup> / <sub>8</sub> " O.D. Flat Washer 1 <sup>1</sup> / <sub>2</sub> "
2	SI410-01	Flange Bearing (two bolt mounting) 1 <sup>1</sup> / <sub>4</sub> "
3	SI496-01	Drive Shaft for Delivery Auger (used with grease chamber)
4	SI541-01	Round Bolt-on End for Delivery Auger (used with grease chamber)
5	SI1336-01	Tail Shaft for Delivery Auger - 8" Long
6	SI1373-01	U-Joint (1 <sup>1</sup> / <sub>4</sub> " Round x 1 <sup>1</sup> / <sub>4</sub> " Round)
7	SI1544-02	Flighting for Delivery Auger (9" Dia. Full Pitch) (Less Shafts)
8	SI1544-03	Stainless Steel 18'
9	SI1544-05	Stainless Steel 21'
10	SI1545-02	Tube and Hopper Assembly for delivery auger (less extension for hopper and all other bolt on parts) c/w clean out door
11	SI1545-30	Stainless Steel 16' - 5 <sup>3</sup> / <sub>4</sub> " Long (length of tube and hopper)
12	SI1545-35	Stainless Steel 18' - 5 <sup>3</sup> / <sub>4</sub> " Long (length of tube and hopper)
13	SI1545-37	Stainless Steel 20' - 5 <sup>3</sup> / <sub>4</sub> " Long (length of tube and hopper)
14	SI1545-31	Extension for Hopper (Bolt-on)
15	SI1545-41	Support Shaft for Delivery Auger (1 <sup>1</sup> / <sub>4</sub> " Dia. x 16" Long)
16	SI1548-32	Grease Chamber
17	SI4768-00	Hydraulic Motor for Delivery (two 1 <sup>1</sup> / <sub>4</sub> " O-Ring Ports)
18	SI9120-16	Clean Out Door

## WILLMAR SPREADER

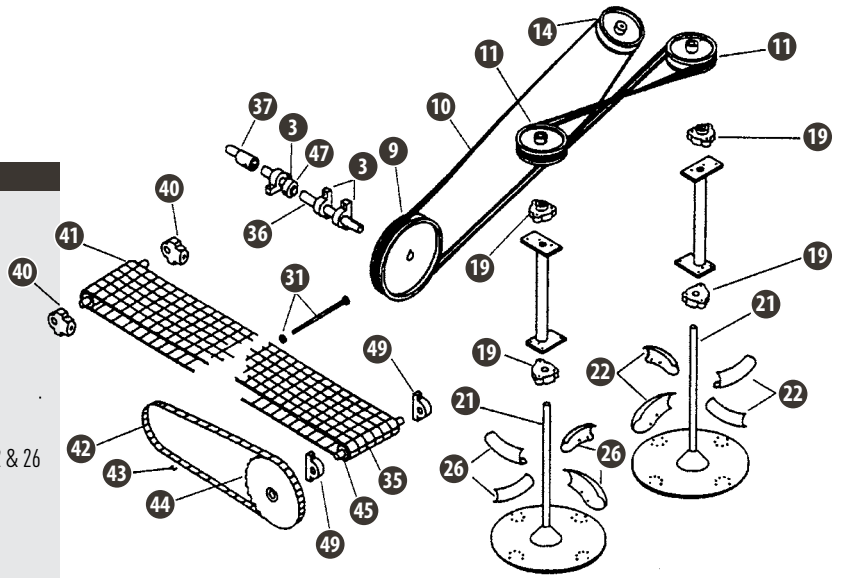


REF	S600-800	S500	DESCRIPTION	REF	S600-800	S500	DESCRIPTION
1	WI15152	WI15152	PTO Support	47	WI15442	WI15494	Inner Bearing Cone
10	WI17469	WI17471	Tarp with Shock Cord	48	WI10681	WI10680	Sprocket Ring-27 Tooth
14	WI21193	WI21193	Rear Gate	49	WI15265	WI14875	Ground Drive Hub and Sprocket
21	WI16080	WI16080	Rear End	50	WI15435	WI19123	Hub-Brake c/w Bearing Cups
24	WI16548	WI16548	Bushing-Hardwood	51	WI15441	WI15493	Outer Bearing Cup
26	WI16133	WI16133	Divider	52	WI15436	WI15490	Outer Bearing Cone
29	N/A	WI15066	Spindle	56	WI15348	WI15491	Hub Cap
35	WI15232	WI15232	Rear Belt Shield	57	WI15435	WI19122	Hub-Plain c/w Bearing Cups
36	WI16717	WI15058	U-Bolt	58	WI15130	WI15129	Equalizer Bolt
38	WI15162	WI15504	Shackle Arm	59	WI15154	WI15500	Equalizer Arm c/w Bushings
39	WI15445	WI20611	Main Leaf Spring c/w Bushings	60	WI14341	WI15503	Bushing c/w item 59
39A	WI16718	WI20538	Complete Leaf Spring	62	WI15443	WI19125	Wheel Nut
40	WI15129	WI15506	Spring Bolt	64	WI10828	WI10827	Wheel
42	WI16716	WI15059	Clip Plate	66	WI22432	WI22432	Jack Assembly
45	WI15433	WI15487	Grease Seal	67	WI15503	WI25415	Bushing
46	WI15434	WI15488	Inner Bearing Cone				

## WILLMAR SPREADER

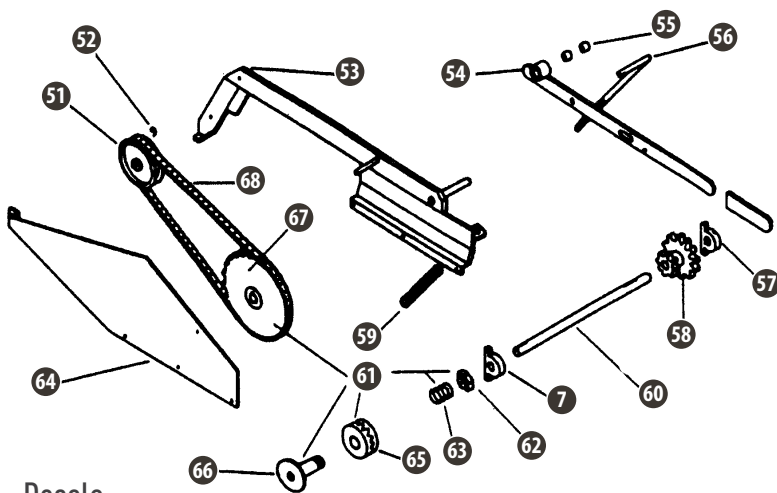
### Spinner Drive and Conveyor

REF	S600-800	S500	DESCRIPTION
3	WI10636	WI10636	Bearing 1" PB
9	WI10454	WI10454	Sheave 8"
10	WI10487P	WI10487P	V-Belt
11	WI10460	WI10460	Sheave 6"
14	WI10464	WI10464	V-Idler Sheave 6 1/2"
19	WI10645	WI10645	Bearing 3 Hole Flange
21	WI16584	WI16584	Distributor Fan
	WI15226	WI15226	Fan Blade Kit includes items 22 & 26
22	WI16583	WI16583	Distributor Blade-Right
26	WI16595	WI16595	Distributor Blade-Left
31	WI10513	WI10513	Splice Pin
35	WI10511	WI10506	Conveyor Chain
36	WI21540	WI21539	Rear Line Shaft
37	WI21540	WI114805	Front Line Shaft
40	WI10652	WI10652	Take-Up Bearing
41	WI15195	WI15195	Front Roller
42	WI19129	WI10630	Conveyor Drive Chain
43	WI10633	WI10633	Connector Link
44	WI12363	WI12363	Rear End Sprocket
45	WI16597	WI16597	Rear Drive Roller and Shaft
47	WI21533	WI21533	Set Collar
49	WI10636	WI10636	Bearing 1" PB
	WI22001	WI22001	PTO Assembly (Not Shown)



### Ground Drive

REF	S600-800	S500	DESCRIPTION
51	WI10461	WI10461	Sheave 4 1/2"
52	WI10575	WI10575	Connector Link
53	WI15246	WI104878	Ground Drive Engaging Arm
54	WI15251	WI15251	Engaging Lever
55	WI22547	WI22547	Nylon Bushing
56	WI15095	WI15095	Ground Drive Linkage
57	WI10636	WI10636	Bearing 1" PB
58	WI12368	WI12368	Drive Sprocket
59	WI16617	WI16617	Spring
60	WI15245	WI15093	Ground Drive Jack Shaft
61	WI10663	WI10663	Slip Clutch Assembly
62	WI10668	WI10668	Slip Clutch Nut
63	WI10669	WI10669	Slip Clutch Spring
64	WI15244	WI15244	Shield
65	WI10513	WI10513	Slip Clutch Floating Jaw
66	WI10664	WI10664	Slip Clutch Hub
67	WI10666	WI10666	Sprocket
68	WI19128	WI19130	Ground Drive Chain



### Decals

S600-800	S500	DESCRIPTION
WI19503	WI19498	Application Rate Decal (11 L x 15 Tires)
WI19501	WI19501	Application Rate Decal (12.5 L x 15 Tires)
WI17395	WI17395	Dial Decal-Green



## GRANULAR PARTS & ACCESSORIES



### Bin Gate Air Cylinders

- A** Air Cylinder 6" Stroke (Less Clevis)..... **MIDW316-2**
- B** Clevis for DW316-2..... **MIMP-31**
- Air Cylinder 8" Stroke..... **MI318-DXP**



### Stroke End Clevis

- Bimba Clevis, Female Threads ..... **MID231-3**



### Norgren Valves

- A** Single Solenoid Air Valve 120V... **MIK71DA00KS6KV2**
- Double Solenoid Air Valve 1 ..... **MIK71DA00K32K32**
- Single Air Valve 1/4" Port ..... **MIK71DA00KS124VDC**

1/4" Ports



### Blender Air Cylinder

- Air Cylinder 12" Stroke ..... **MI5012-DXP**



### Galvanized Cable

- Galvanized Cable 1/8" ..... **MI2701-0008**
- Galvanized Cable Clamp 1/8" ..... **MI2901-0008**



### Buckets

- Poly Bucket 9" x 6" CCHD ..... **MIBKT9X6**
- Poly Bucket 10" x 6" CCHD..... **MIBKT10X6**



### Airline Fittings

- Air Joiner Fitting 3/8" ..... **MI12-020-0600**
- Air Elbow Joiner Fitting..... **MI12-040-0600**
- Air Tee Fitting 3/8" ..... **MI12-060-0600**
- Air MPT Straight Fitting 1/4"..... **MI12-425-0628**
- Air MPT Straight Fitting 3/8" ..... **MI12-425-0638**
- Air MPT Elbow Fitting 1/4"..... **MI12-447-0628**
- Air MPT Elbow Fitting 3/8" ..... **MI12-447-0638**



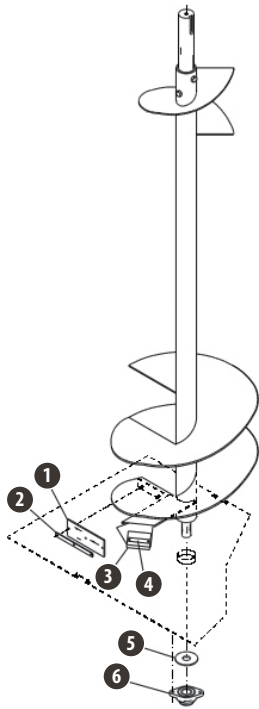
### Belting

- PVC Low Temp Belt 12" ..... **MIBCV12**
- PVC Low Temp Belt 16" ..... **MIBCV16**
- PVC Low Temp Belt 24" ..... **MIBCV24**



### Airline

- Airline 3/8" ..... **MI360-6**



## Speed King Blender Parts

REF	PART	DESCRIPTION
1	SK13824800	PVC Belt 4 1/2" x 6 1/4"
2	SK13823000	Back-up Strap
3	SK18523100	PVC Belt 4 1/2" x 11 1/2"
4	SK18522300	Back-up Strap
5	SK18559500	Bottom Shaft Seal
6	SK03011400	Bearing 1 5/16" 2 Bolt Flange
	SK83909200	5 & 6-Ton Blender Flighting
	SK83941500	8-Ton Blender Flighting
	SK84260900	10-Ton Blender Flighting



## Speed King Bearings

<b>A</b>	Bearing 1" Flange .....	<b>SK03001500</b>
	Bearing 1 5/16" Flange .....	<b>SK03018900</b>
<b>B</b>	Bearing 1 5/16" Pillow Block.....	<b>SK03033800</b>



## Tri-Rollers

Tri-Roller Assembly 24" .....	<b>YARPC024</b>
Tri-Roller Assembly 30" .....	<b>YARPC030</b>



## Return Rollers

PVC Roller Return 24" .....	<b>YARR24PVC</b>
PVC Roller Return 30" .....	<b>YARR30PVC</b>
PVC Roller Return 36" .....	<b>YARR36PVC</b>



## Speed King Return Rollers

PVC Roller 2" x 6" .....	<b>SK60190600</b>
PVC Roller 2" x 10" .....	<b>SK60191400</b>
PVC Roller 2" x 18" .....	<b>SK60192200</b>
PVC Roller 2.375" x 12" .....	<b>SK60193000</b>
PVC Roller 2.375" x 13.6" .....	<b>SK60196300</b>
PVC Roller 2.375" x 16" .....	<b>SK60194800</b>
PVC Roller 2.375" x 24" .....	<b>SK60195500</b>

## MICROCOTE LIQUID COATING SYSTEM

### THE RIGHT EQUIPMENT FOR YOUR LIQUID COATING NEEDS

Crop producers across the country are becoming increasingly aware of the benefits of adding micronutrients to their dry and liquid fertilizers. DyTerra offers tried and tested solutions for all three of the primary types of liquid coatings being used on granular fertilizer today: micronutrients, nitrogen stabilizers and dust control oils. Whatever the product or combination you need for your site and your customers, DyTerra has you covered.



*MicroCote systems use declining weight scale technology to measure and batch deliver liquid coatings.*



MC1000



MC1055

### OUR SYSTEMS ARE HIGHLY CUSTOMIZABLE!

#### WE OFFER:

- Tested reliable components
- Heavy-duty welded tube-frame construction
- Compatible with many liquids
- Automated batch blending
- Automation interfaces
- Various flow rate ranges available
- Available in all voltages
- Custom designs
- Meets Measurement Canada Regulations



8 SKID SET-UP IN A HEATED SHED

## SPEED KING BLENDING EQUIPMENT

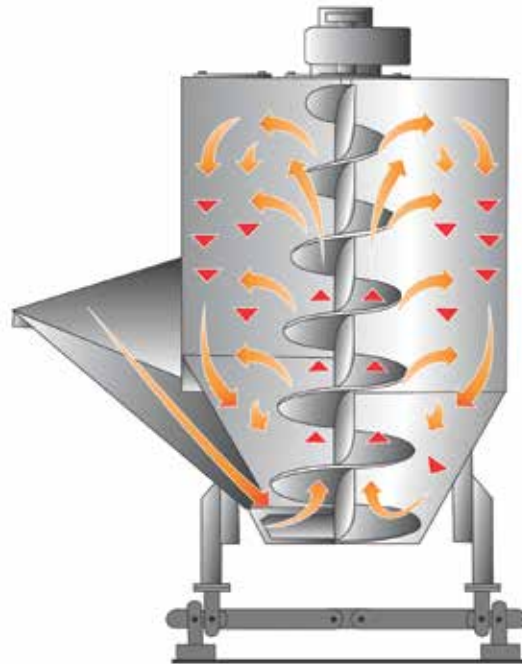


For nearly fifty years Speed King has been serving the dry chemical fertilizer industry with quality fertilizer handling products. Their leading components are the environmentally friendly vertical screw blending system, bucket elevators, the original tube conveyor as well as various trough-roller conveyors for in-plant use.

Speed King's components are the trusted line for blending chemical fertilizer and other bulk materials throughout North America.



CrustBuster/Speed King was the first tapered screw blender which is now the standard of the industry.



### PARTS AND COMPONENTS

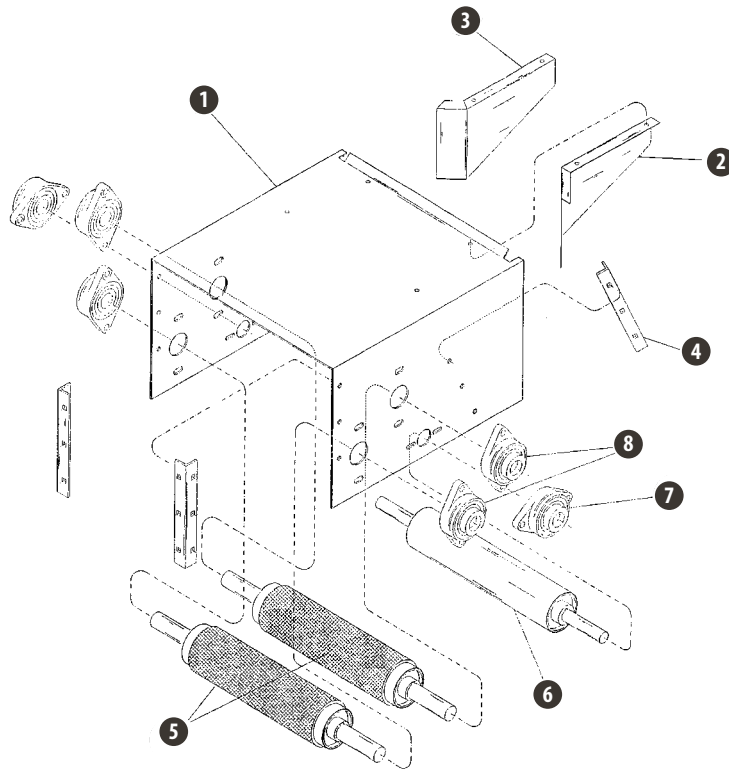
- Rollers
- Bearings
- Shafts
- Belts
- Lacing
- Sheaves
- Solenoids
- Air Fittings
- Air Line
- Flighting



## SPEED KING TROUGH ROLLER S-WRAP

### 12" Trough Roller

REF	PART	DESCRIPTION	QTY
	SK60305000	S-Wrap Assembly 12"	1
1	SK19536200	S-Wrap Frame	1
2	SK19533900	Material Guide RH	1
3	SK19532100	Material Guide LH	1
4	SK19673300	Mounting Angle	4
5	SK60392800	Lagged Roller 3.5" x 12.5"	2
6	SK80011000	Roller 3.5" x 12.5"	1
	SK19603000	Shaft 1"	1
7	SK03018900	Bearing 1.313" 2B Flange	4
8	SK03001500	Bearing 1" 2B Flange	2



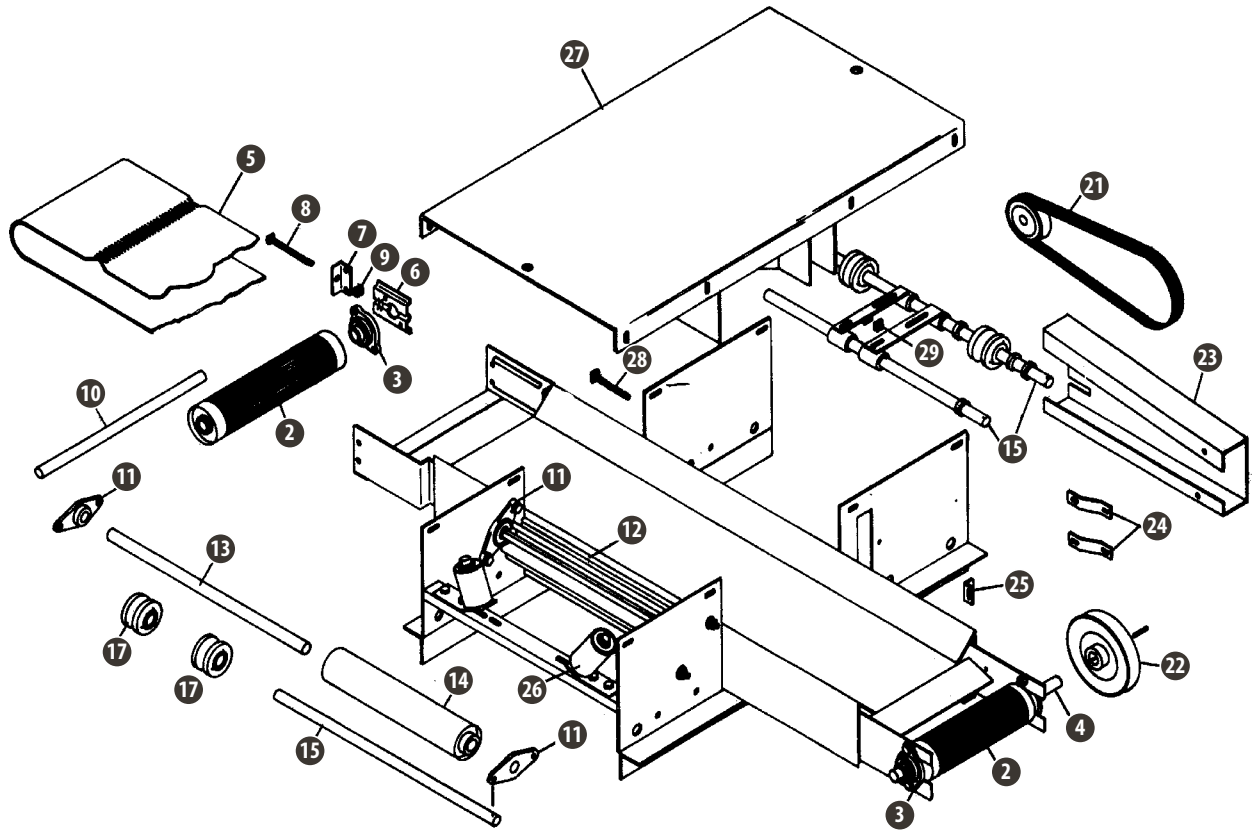
### 16" Trough Roller

REF	PART	DESCRIPTION	QTY
	SK60393600	S-Wrap Assembly 16"	1
1	SK19531300	S-Wrap Frame	1
2	SK19533900	Material Guide RH	1
3	SK19532100	Material Guide LH	1
4	SK19673300	Mounting Angle	4
5	SK60560000	Lagged Roller 3.5" x 12.5"	2
6	SK80682800	Roller 3.5" x 16" c/w 1.313" Shaft	1
7	SK03018900	Bearing 1.313" 2B Flange	4
8	SK03018900	Bearing 1.313" 2B Flange	2

### 24" Trough Roller

REF	PART	DESCRIPTION	QTY
	SK60305000	S-Wrap Assembly 24"	1
1	SK19537000	S-Wrap Frame	1
2	SK19533900	Material Guide RH	1
3	SK19532100	Material Guide LH	1
4	SK19673300	Mounting Angle	4
5	SK60355500	Lagged Roller 3.5" x 24" w/ 1.313" Shaft	2
6	SK81574600	Roller 3.5" x 24" w/ 1.313 Shaft 1	1
7	SK03018900	Bearing 1.313" 2B Flange	4
8	SK03001500	Bearing 1" 2B Flange	2

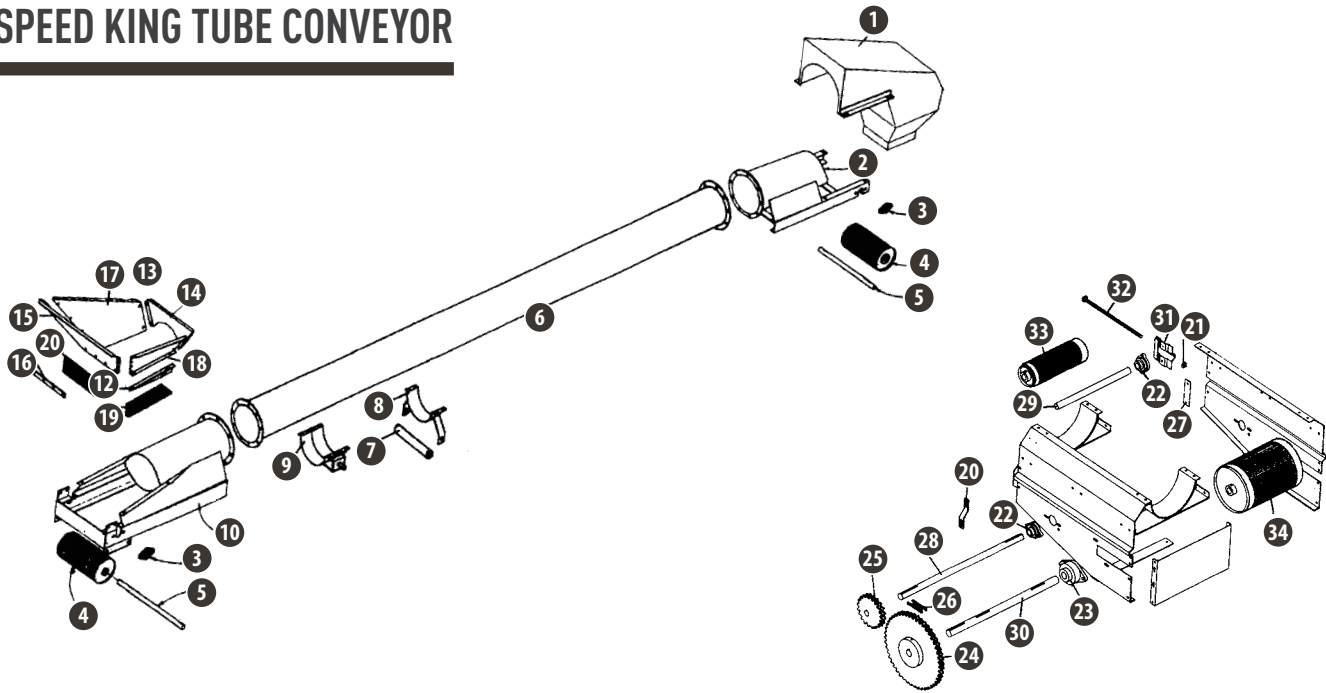
## SPEED KING TRIPPER



### Speed King 6' Tripper

REF	16"	24"	DESCRIPTION	REF	16"	24"	DESCRIPTION
2	SK88558200	SK88558200	Lagged Roller	14	SK81181000	SK81181000	Roller
3	SK03001500	SK03001500	Flange Bearing 1"	15	SK16187700	SK16187700	Shaft 1" x 27"
4	SK10001600	SK10001600	Shaft 1" x 23"	17	SK65080400	SK65080400	V-Groove Wheel
5	7' 10"	11' 10"	Belt Spliced Both Ends	21	MIB60	MIB83	V-Belt
6	SK13379300	SK13379300	Bearing Mount	22	SK04255600	SK04255600	Sheave
7	SK16186900	SK16186900	Take Up Bracket	23	SK16203200	SK16204000	Belt Guard
8	SK83103200	SK83103200	Take Up Bolt 3/8"	24	SK16801300	SK16801300	Belt Guard Bracket (front)
9	SK01560200	SK01560200	Nut 3/8" Square	25	SK15745300	SK15745300	Belt Guard Bracket
10	SK19603000	SK19603000	Shaft 1" x 21"	26	SK72035900	SK72035900	Roller Assembly
11	SK03018900	SK03018900	Flange Bearing	27	SK83211300	SK83211300	Cover
12	SK88186200	SK88186200	Lagged Roller 3 1/2" x 16"	28	SK83106500	SK83106500	Take Up Bolt 1/2"
13	SK14230700	SK14230700	Shaft 5/8" x 25"	29	SK01561000	SK01561000	Nut 1/2" Square

## SPEED KING TUBE CONVEYOR



### Tube Conveyor with 1" Shaft and Roller in Head Section

REF	PART	DESCRIPTION	QTY
1	SK82269200	MS Discharge Spout	1
	SK82796400	SS Discharge Spout	1
2	SK61686200	MS Headframe Assembly	1
	SK61687000	SS Headframe Assembly	1
3	SK03001500	Bearing 1"	4
4	SK88107800	Lagged Roller 6" x 12"	2
5	SK10409100	Shaft 1" x 21 1/2"	2
6	Varies	MS or SS Tube 12"	Varies
7	SK60196300	PVC Return Idler	Varies
8	SK82264300	Return Idler Bracket	Varies
9	SK10319210	Half Band 10"	Varies
10	SK62153200	MS Tail Frame Assembly	1
	SK89763700	SS Tail Frame Assembly	1
12	SK14969000	Guide Stiffener L SS	1
13	SK14970800	Guide Stiffener R SS	1
14	SK14971600	Front Panel SS	1
15	SK14972400	Strap SS	1
16	SK14973200	Back Panel SS	1
17	SK17678400	Right Hopper Side	1
18	SK17679200	Left Hopper Side	1
19	SK13816400	Material Guide	2
20	SK10317600	Back Wiper	1

### 8" and 10" Electrical Drive

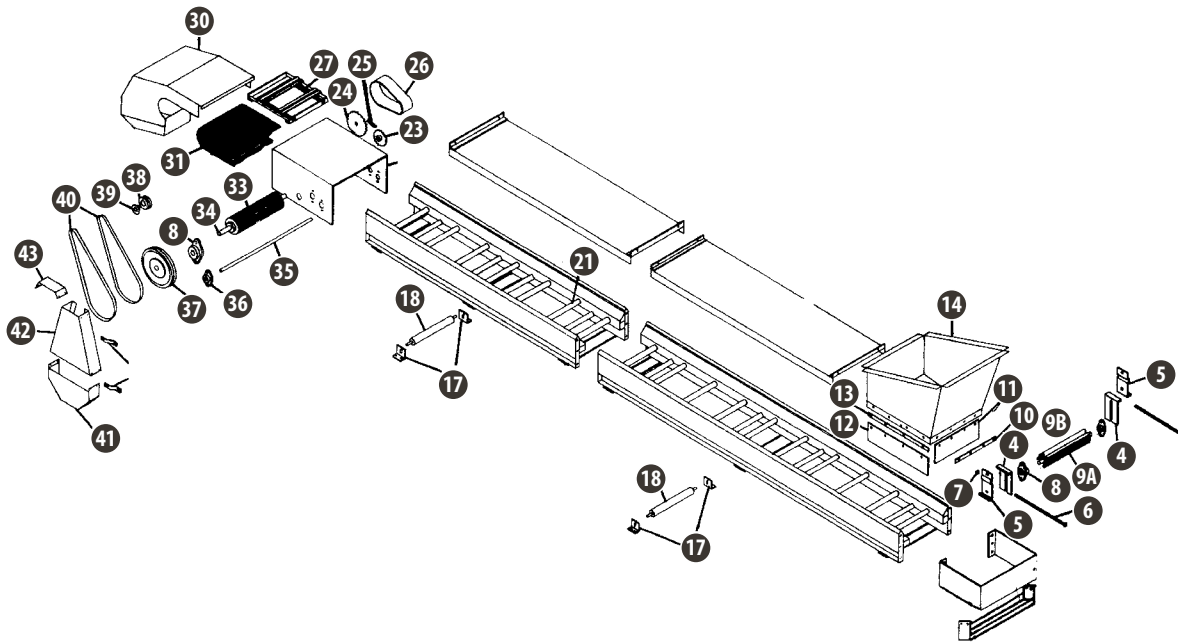
REF	8" ELECTRIC	10" ELECTRIC	DESCRIPTION	QTY
20	N/A	SK16801300	Belt Guard Bracket SS	3
21	SK01561000	SK01561000	Square Nut SS	2
22	SK03001500	SK03001500	Bearing 1"	4
23	N/A	SK03018900	Bearing 1 5/16"	2
24	N/A	SK04513800	Sprocket D48T x 1 5/16"	1
25	N/A	SK04514600	Sprocket D20T x 1"	1
26	N/A	SK05222500	#50 - 2 x 76 Pitch Chain	1
27	SK10330900	SK10330900	Take Up Bracket SS	2
28	N/A	SK11697000	Shaft 1" x 28 1/2"	1
29	SK11888500	SK11888500	Shaft 1" x 16"	1
30	SK10001600	N/A	Shaft 1" x 23 1/2"	1
	N/A	SK11891900	Shaft 1 5/16" x 23 3/4"	1
31	SK81610800	SK81610800	Bearing Slide SS	2
32	SK83106500	SK83106500	Take Up Bolt	2
33	SK88001300	SK88001300	Lagged Roller 3 1/2"	1
34	SK88040100	SK88011200	Lagged Roller	1

### Tube Conveyor with 1 5/16" Shaft and Roller in Head Section

The difference is only in the head section.

REF	PART	DESCRIPTION	QTY
3	SK03018900	Bearing 1 5/16"	2
4	SK61685400	Lagged Roller 6"	1
5	SK14979900	Shaft 1 5/16" x 21"	1

## SPEED KING TROUGH ROLLER & OUTBOARD CONVEYOR



### Trough Roller Outload Conveyor

REF	16"	24"	DESCRIPTION	REF	16"	24"	DESCRIPTION
4	SK16076200	SK16076200	Bearing Slide, Top	26	SK89215800	N/A	Chain Guard
5	SK16075400	SK16075400	Bearing Slide, Bottom	27	SK83104000	SK83104000	Take Up Bolt
6	SK83106500	SK83106500	Take Up 1/2" x 14"	30	SK83166900	SK83911800	Discharge Spout
7	SK01561000	SK01561000	SS Square Nut 1/2"	31	MGBCV16	MGBCV24	Belt PVC Low Temp
8	SK03018900	SK03033800	Bearing	33	SK88826300	SK60197100	Lagged Roller
9A	SK88186200	SK60355500	Roller	34	SK16088700	SK18636100	Shaft
9B	SK16088700	N/A	Shaft	35	SK12217600	N/A	Shaft
10	SK16053100	SK18640300	Back Strap	36	SK03001500	N/A	Bearing
11	SK16068900	SK18639500	Back Skirt	37	SK04259800	SK04285300	Sheave
12	SK16069700	SK18656900	Side Skirt	38	SK04293700	SK04406500	Sheave
13	SK16070500	SK18622100	Side Strap	39	SK04388500	N/A	Hub
14	SK83163600	SK83934000	Load Hopper	40	MIB51	MIB73	V-Belt
17	SK13019500	SK13019500	Return Roller BRKT	41	SK83081000	SK8318000	Tail Cap
18	SK60194800	SK60195500	Return Roller	42	SK15911100	SK18624700	Guard Body
21	SK60191400	SK60192200	Carrier Roller	43	SK15910300	N/A	Guard End Plate
23	SK04502100	N/A	Sprocket				
24	SK04501300	N/A	Sprocket				
25	MIRC60MS	N/A	Chain				